

# Mini Amazon

## KMF-180 DTR6

# PRODUCT SHEET



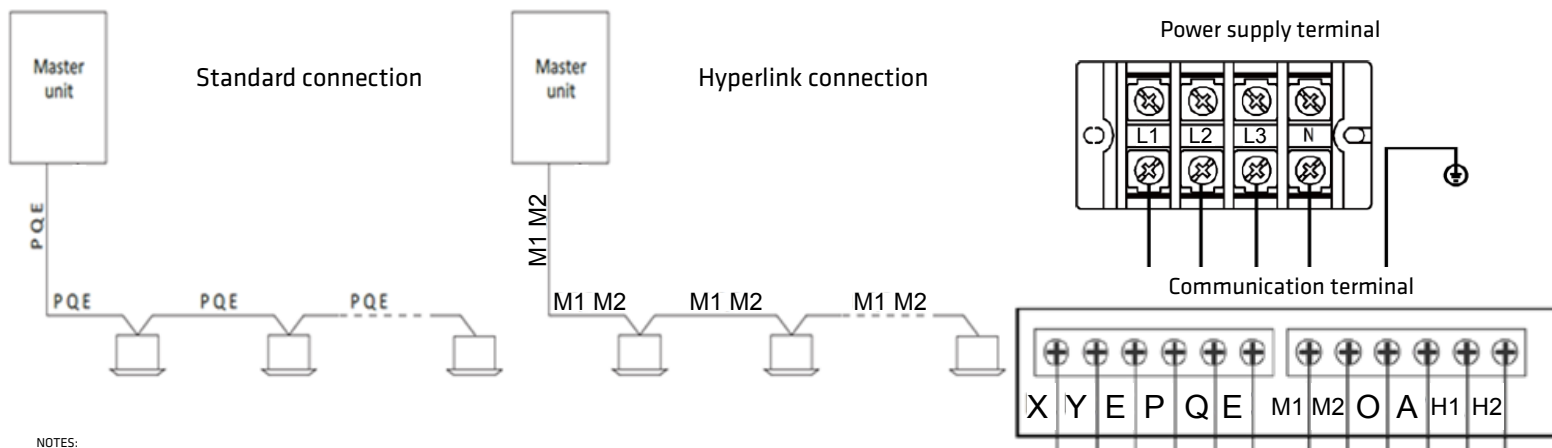
Product certified by:



## FEATURES

| Model  | MV8M-180WV2RN8         |
|--|------------------------|
| Cooling capacity rated   | 17,5 kW                |
| Cooling input rated  | 6,46 kW                |
| EER  | 2,71                   |
| SEER   | 7,1                    |
| s,c  | 281 %                  |
| Heating capacity rated   | 17,5 kW                |
| Heating input rated  | 4,49 kW                |
| COP  | 3,9                    |
| SCOP   | 4,8                    |
| s,h  | 189 %                  |
| No. indoor units   | 12                     |
| Air flow   | 5500 m <sup>3</sup> /h |
| Pressure available   | 0-35Pa                 |
| Sound pressure   | 58 dB(A)               |
| Sound power level  | 73 dB(A)               |
| Alimentation   | 380-415 V / 3 / 50 Hz  |
| Charge de réfrigérant  | R-32                   |
| Refrigerant charge   | 2,85 kg                |
| Working range; Outdoor ambient temperature for cooling min / max | -15 / 52 °C            |
| Working range; Outdoor ambient temperature for heating min / max | -20 / 16,5 °C          |

## WIRING DIAGRAM



## NOTES:

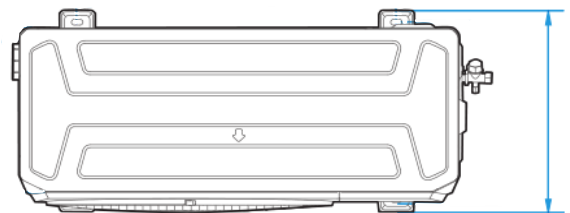
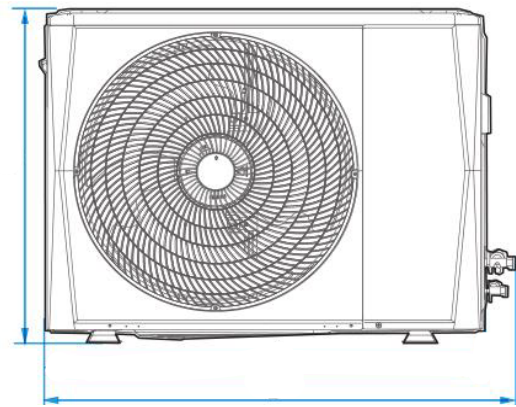
- (1) The data and specifications in this sheet are subject to change without notice.
- (2) The images in this sheet are for guidance only and may be different from the actual machine.
- (3) Cooling capacity conditions: Indoor temperature 27°C DB/19°C WB; Outdoor temperature 35°C DB; Equivalent refrigerant piping length 7.5 m with zero level difference; Data calculated with Cassette type indoor unit. Heating capacity conditions: Indoor temperature 20°C DB; Outdoor temperature 7°C DB/6°C WB; Equivalent refrigerant piping length 7.5 m with zero level difference; Data calculated with Cassette type indoor unit.
- (4) Sound pressure level is measured at a position 1 m in front of the unit and 1 m above the floor in a semi-anechoic chamber.

## PIPELINE LENGTH

|   |                           |       |
|---|---------------------------|-------|
| <b>Max. pipe length</b>   |                           | 300 m |
| <b>Max. distance between outdoor unit and further indoor unit</b> | <b>Real</b>               | 100 m |
|   | <b>Equivalent</b>         | 120 m |
| <b>From first branch joint to the further indoor unit</b>         |                           | 40 m  |
| <b>Height difference</b>  | <b>Outdoor unit over</b>  | 50 m  |
|   | <b>Outdoor unit below</b> | 40 m  |
| <b>Height difference between indoor units</b>                     |                           | 15m   |

## DIMENSIONS & WEIGHT

|               |         |
|---------------|---------|
| <b>Width</b>  | 1038 mm |
| <b>Height</b> | 864 mm  |
| <b>Depth</b>  | 409 mm  |
| <b>Weight</b> | 94 kg   |



## INSTALLATION

