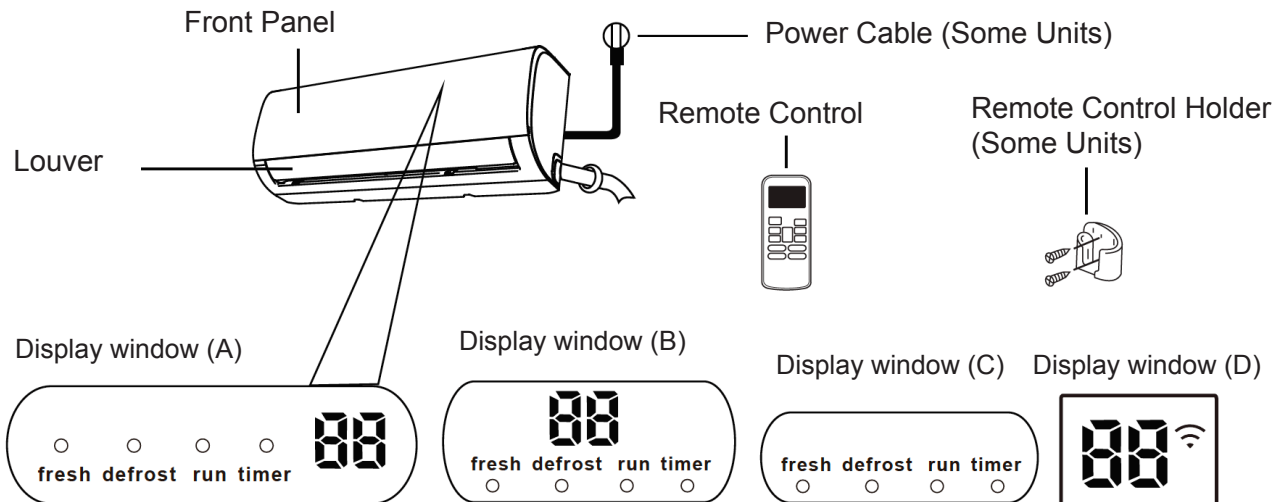


1. Unit Specifications and Features

Indoor Unit Display

NOTE: Different models have different front panel and display window. Not all the indicators describing below are available for the air conditioner you purchased. Please check the indoor display window of the unit you purchased.

Illustrations in this manual are for explanatory purposes. The actual shape of your indoor unit may be slightly different. The actual shape shall prevail.



"fresh" when Fresh feature is activated (some units)

"defrost" when Defrost feature is activated

"run" when the unit is on

"timer" when TIMER is set

"Wi-Fi" when Wireless Control feature is activated (some units)

"88" Displays temperature, operation feature and error codes:

When ECO function (some units) is activated the "88" illuminates gradually one by one as $\text{E} \text{ -- } \text{C} \text{ -- } \text{0} \text{ --}$ set temperature $\text{--} \text{E}$ in one second interval

"00" 3 seconds when:

TIMER ON is set (if the unit is OFF, "00" remains on when TIMER ON is set)

FRESH, SWING, TURBO, or SILENCE feature is turned on

"0F" for 3 seconds when:

TIMER OFF is set

FRESH, SWING, TURBO, or SILENCE feature is turned off

"cF" when anti-cold air feature is turned on

"dF" when defrosting (cooling & heating units)

"5C" when unit is self-cleaning (some units)

"FP" when 8°C heating feature is turned on (some units)

Display Code Meanings

Operating temperature

When your air conditioner is used outside of the following temperature ranges, certain safety protection features may activate and cause the unit to disable.

Inverter Split Type

	COOL Mode	HEAT Mode	HEAT Mode
Room Temperature	17°C - 32°C	0°C - 30°C	10°C - 32°C
Outdoor Temperature	0°C - 50°C	-15°C - 30°C	0°C - 50°C
	-15°C - 50°C (For models with low temp. cooling systems)		
	0°C - 60°C (For special tropical models)		0°C - 60°C (For special tropical models)

FOR OUTDOOR UNITS WITH AUXILIARY ELECTRIC HEATER

When outside temperature is below 0°C, we strongly recommend keeping the unit plugged in at all time to ensure smooth ongoing performance.

NOTE: Room relative humidity less than 80%. If the air conditioner operates in excess of this figure, the surface of the air conditioner may attract condensation. Please sets the vertical air flow louver to its maximum angle (vertically to the floor). and set HIGH fan mode.

To further optimize the performance of your unit, do the following:

- Keep doors and windows closed.
- Limit energy usage by using TIMER ON and TIMER OFF functions.
- Do not block air inlets or outlets.
- Regularly inspect and clean air filters.

A guide on using the infrared remote is not included in this literature package. Not all the functions are available for the air conditioner, please check the indoor display and remote control of the unit you purchased.

Other Features

- **Auto-Restart (some units)**

If the unit loses power, it will automatically restart with the prior settings once power has been restored.

- **Anti-mildew (some units)**

When turning off the unit from COOL, AUTO (COOL), or DRY modes, the air conditioner will continue operate at very low power to dry up condensed water and prevent mildew growth.

- **Wireless Control (some units)**

Wireless control allows you to control your air conditioner using your mobile phone and a wireless connection. For the USB device access, replacement, maintenance operations must be carried out by professional staff.

- **Louver Angle Memory (some units)**

When turning on your unit, the louver will automatically resume its former angle.

- **Refrigerant Leakage Detection (some units)**

The indoor unit will automatically display "EC" or "EL0C" or flash LEDs (model dependent) when it detects refrigerant leakage.

- **Sleep Operation**

The SLEEP function is used to decrease energy use while you sleep (and don't need the same temperature setting to stay comfortable). This function can only be activated via remote control. And the Sleep function is not available in FAN or DRY mode.

Press the SLEEP button when you are ready to go to sleep. When in COOL mode, the unit will increase the temperature by 1°C after 1 hour, and will increase an additional 1°C after another hour. When in HEAT mode, the unit will decrease the temperature by 1°C after 1 hour, and will decrease an additional 1°C after another hour.

The sleep feature will stop after 8 hours and the system will keep running with final situation.

- **Setting Angle of Air Flow**

Setting vertical angle of air flow

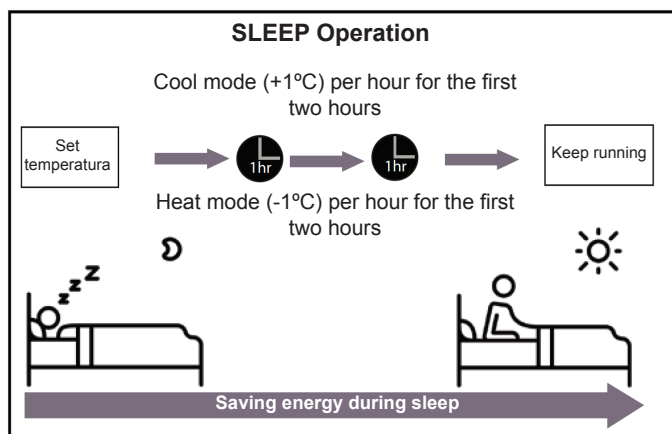
While the unit is on, use the SWING/DIRECT button on remote control to set the direction (vertical angle) of airflow. Please refer to the Remote Control Manual for details.

NOTE ON LOUVER ANGLES

When using COOL or DRY mode, do not set louver at too vertical an angle for long periods of time. This can cause water to condense on the louver blade, which will drop on your floor or furnishings.

When using COOL or HEAT mode, setting the louver at too vertical an angle can reduce the performance of the unit due to restricted air flow.

(The vertical louver auto swing is an optional function)



Setting horizontal angle of air flow

The horizontal angle of the airflow must be set manually. Grip the deflector rod (See Fig. B) and manually adjust it to your preferred direction.

For some units, the horizontal angle of the airflow can be set by remote control. Please refer to the Remote Control Manual.

NOTE: Do not move louver by hand. This will cause the louver to become out of sync. If this occurs, turn off the unit and unplug it for a few seconds, then restart the unit. This reset the louver.

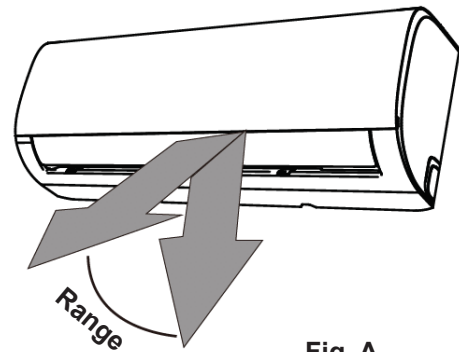


Fig. A

⚠ CAUTION

Do not put your fingers in or near the blower and suction side of the unit. The high-speed fan inside the unit may cause injury.

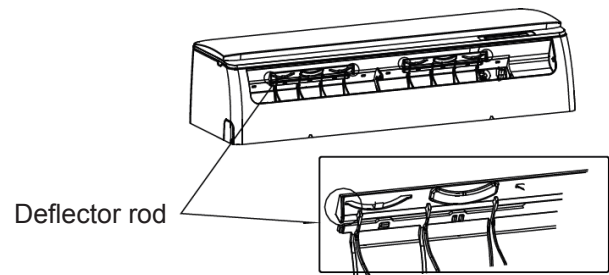


Fig. B

Manual Operation (without remote)

CAUTION

The manual button is intended for testing purposes and emergency operation only. Please do not use this function unless the remote control is lost and it is absolutely necessary. To restore regular operation, use the remote control to activate the unit. Unit must be turned off before manual.

To operate your unit manually:

1. Locate the MANUAL CONTROL button on the right-hand side of the unit.
2. Press the MANUAL CONTROL button one time to activated FORCED AUTO mode.
3. Press the MANUAL CONTROL button again to activate FORCED COOLING mode.
4. Press the MANUAL CONTROL button a third time to turn the unit off.
5. Close the front panel.

