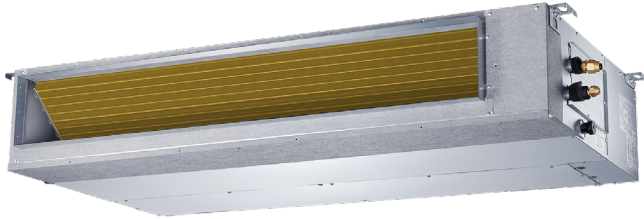


Ducts Multisystem

PRODUCT SHEET



KCT-04.1 SPSWF
Standard controller

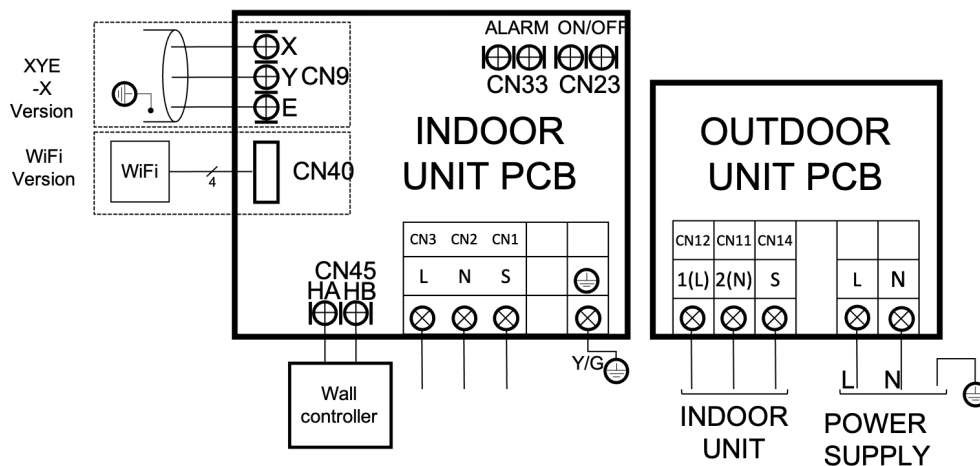
Product certified by:



FEATURES

Model	KPD-20 DR15	KPD-26 DR15	KPD-35 DR15	KPD-52 DR15	KPD-71 DR15
Cooling capacity	2,05 kW	2,63 kW	3,52 kW	5,28 kW	7,03 kW
Heating capacity	2,64 kW	2,93 kW	3,81 kW	5,57 kW	7,62 kW
Airflow (indoor)	450 / 540 / 620 m ³ /h	450 / 540 / 620 m ³ /h	470 / 570 / 660 m ³ /h	650 / 780 / 900 m ³ /h	700 / 1000 / 1200 m ³ /h
Sound pressure (indoor)	31 / 33 / 35 dB(A)	31 / 33 / 35 dB(A)	31 / 33 / 35 dB(A)	31 / 34 / 36.5 dB(A)	31 / 32.5 / 33,5 dB(A)
Power supply	220-240 V / 1 / 50 Hz				
Communication wiring	(3+T)x2,5 mm ²	(3+T)x2,5 mm ²	(3+T)x2,5 mm ²	(3+T)x2,5 mm ²	(3+T)x2,5 mm ²

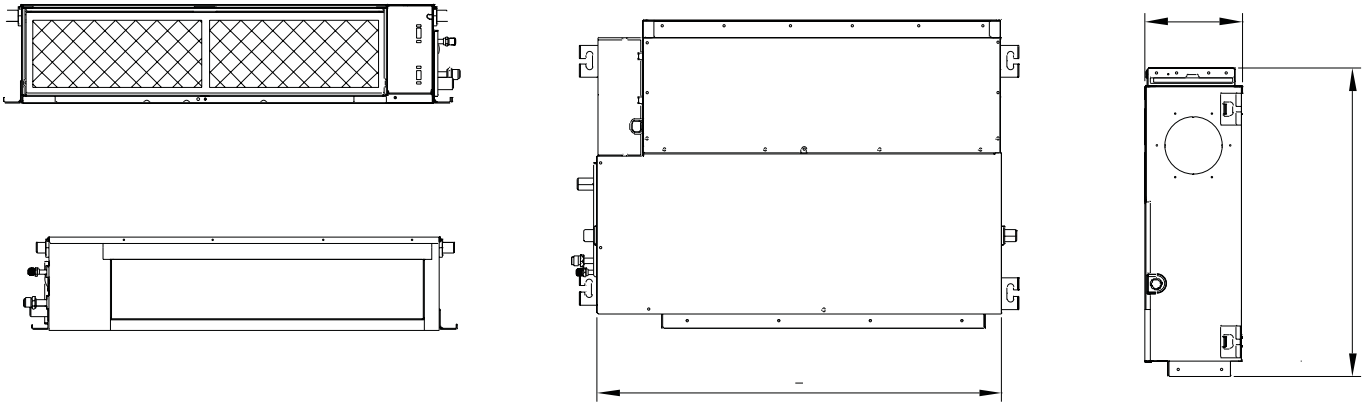
WIRING DIAGRAM



NOTES:
(1) The data and specifications present in this sheet may vary without notice.
(2) The images on this sheet are indicative and may be different from the final machine.

COOLING CONNECTION

Model	KPD-20 DR15	KPD-26 DR15	KPD-35 DR15	KPD-52 DR15	KPD-71 DR15
Refrigerating pipes	Ø1/4" / Ø3/8"	Ø1/4" / Ø3/8"	Ø1/4" / Ø3/8"	Ø1/4" / Ø1/2"	Ø3/8" / Ø5/8"
Indoor drain pipe	Ø25 mm	Ø25 mm	Ø25 mm	Ø25 mm	Ø25 mm



DIMENSIONS & WEIGHT INDOOR

Model	KPD-20 DR15	KPD-26 DR15	KPD-35 DR15	KPD-52 DR15	KPD-71 DR15
Width	700 mm	700 mm	700 mm	700 mm	1.100 mm
Height	200 mm	200 mm	200 mm	245 mm	249 mm
Depth	506 mm	506 mm	506 mm	750 mm	750 mm
Weight	16,60 kg	16,60 kg	16,60 kg	24,40 kg	31,80 kg

INSTALLATION

