

Wall-Mounted

PRODUCT SHEET



KI-04 S

Recommended controller

Product certified by:

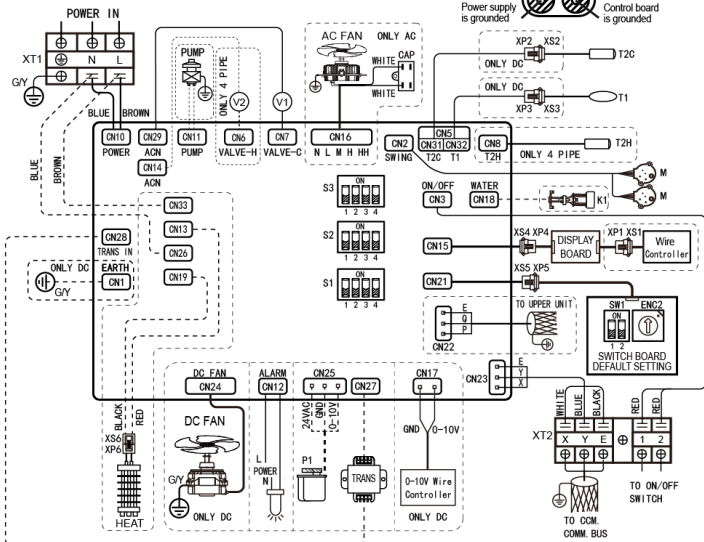


FEATURES

Model	KFC-AY-2T-250D3	KFC-AY-2T-400D3	KFC-AY-2T-600D3
Cooling capacity	2,39 / 2,70 kW	2,88 / 3,81 kW	3,79 / 4,87 kW
Heating capacity	2,58 / 2,94 kW	3,08 / 4,30 kW	3,96 / 5,26 kW
Power input	8 / 13 W	15 / 34 W	18 / 38 W
Airflow	400/454/492 m ³ /h	590/689/825 m ³ /h	717/849/979 m ³ /h
Sound pressure	27/30/32 dB(A)	35/39/45 dB(A)	35/40/44 dB(A)
Water flow cooling	0,42 / 0,48 m ³ /h	0,51 / 0,67 m ³ /h	0,65 / 0,85 m ³ /h
Evaporator pressure drop cool.	25,40 / 31,60 kPa	33 / 56,70 kPa	33,70 / 50,70 kPa
Evaporator pressure drop heat.	30,20 / 32,70 kPa	35,70 / 51,90 kPa	33 / 47,10 kPa
Hydraulic connections	Ø3/4"	Ø3/4"	Ø3/4"
Power supply	220-240 V / 1 / 50 Hz		
Power wiring	(2+T)x2,50 mm ²		

WIRING DIAGRAM

NOTE:
 1.ALARM: Error codes or protections occurred , a closed signal output.
 2.ON/OFF: Short circuit, forced off; otherwise, all the controllers available.



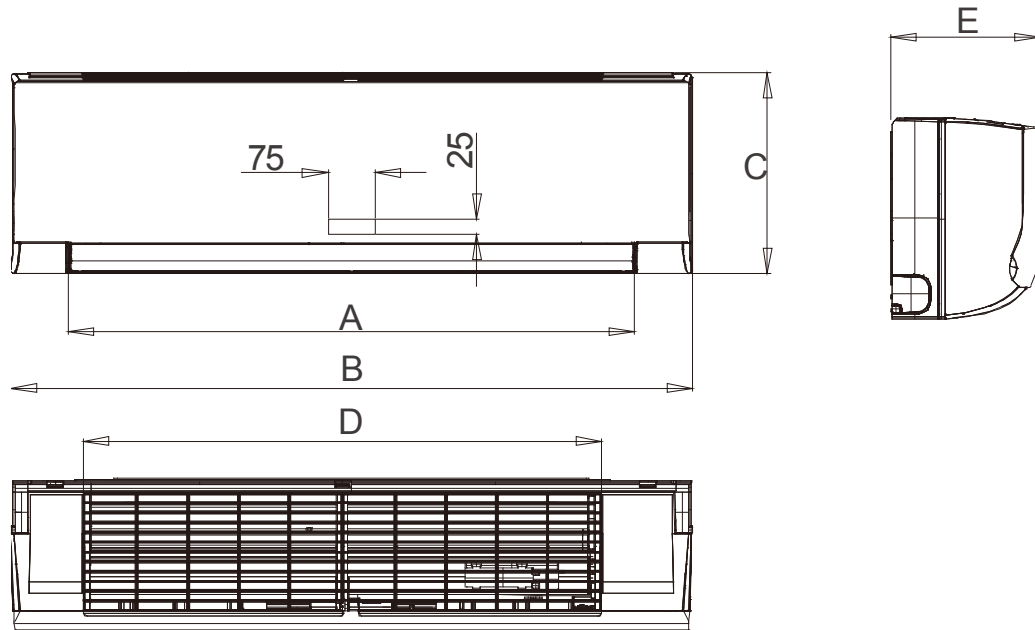
S1-1	2 pipe	S2-1/2	Temp.compensation value is 0 under cool mode(default)
	4 pipe		Temp.compensation value is 1 under cool mode
	Without enforcement to turn wind(default)		Temp.compensation value is 2 under cool mode
	With enforcement to turn wind		Temp.compensation value is 3 under cool mode
S1-3	Normal anti-cold wind(default)	S2-3/4	Temp.compensation value is 3 under heat mode(default)
	High temperature anti-cold wind		Temp.compensation value is 1 under heat mode
	Turn on E-heater and heating valve (default)		Temp.compensation value is 6 under heat mode
	Turn on E-heater, turn off heating valve		Temp.compensation value is 8 under heat mode

S3	250CFM
	300CFM
	400CFM
	500CFM
	600CFM

SWITCH FOR ADDRESS SETTING	Address 0-15
0-F of the ENC2 and ON/OFF of the SW1, the different position represents a different address. Is be combined 64 address(0-63)	Address 16-31
	Address 32-47
	Address 48-63

NOTES:
 (1) The data and specifications present in this sheet may vary without notice.
 (2) The images on this sheet are indicative and may be different from the final machine.

DIMENSIONS & WEIGHT



Model	A	B	C	D	E	Weight
KFC-AY-2T-250D3	732 mm	915 mm	290 mm	663 mm	233 mm	12,70 kg
KFC-AY-2T-400D3	732 mm	915 mm	290 mm	663 mm	233 mm	12,70 kg
KFC-AY-2T-600D3	892 mm	1.072 mm	315 mm	813 mm	237 mm	14,90 kg

INSTALLATION

