

## Medium Pressure Ducts

## PRODUCT SHEET



**HID-Ti10**  
Recommended thermostat  
for 2 and 4 pipes

Product certified by: **CE**



### FEATURES 2 TUBES

Model		FMDE-130	FMDE-220	FMDE-230	FMDE-240	FMDE-330
Cooling capacity max.	kW	7,59	10,39	13,01	15,16	17,30
Sensitive cooling capacity max.	kW	5,66	8,18	10,04	11,21	13,40
Heat output max.	kW	8,03	11,81	14,52	15,34	19,52
Air flow rate max.	m <sup>3</sup> /h	1230	2130	2330	2230	3130
Sound pressure low/average/high	dB(A)	14/39/51	21/40/53	21/41/54	22/41/54	18/40/53
Net weight	kg	36	49	51	54	66
Max. static pressure	Pa	120	120	120	120	120
Cooling/hot water connections	inch	3/4"	3/4"	3/4"	3/4"	3/4"

### FEATURES 4 TUBES

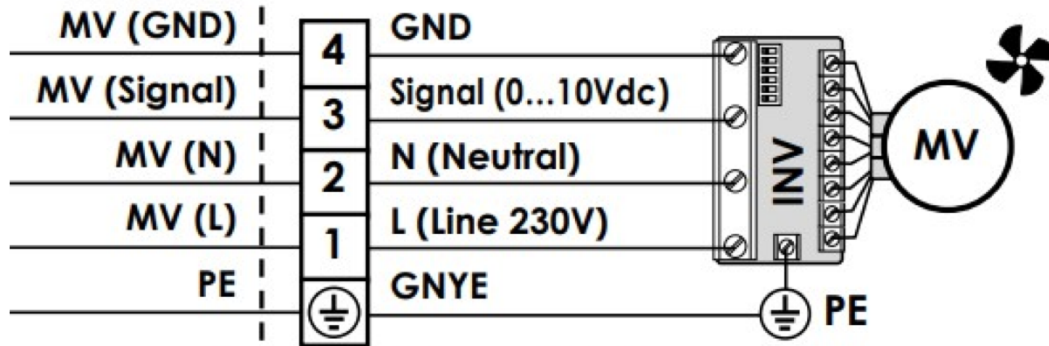
Model		FMDE-131	FMDE-221	FMDE-231	FMDE-321	FMDE-331
Cooling capacity max.	kW	7,34	10,06	12,51	13,3	16,71
Sensitive cooling capacity max.	kW	5,46	7,92	9,63	10,49	12,9
Heat output max.	kW	6,3	10,41	10,94	13,88	14,68
Air flow rate low/average/high	m <sup>3</sup> /h	1170	2030	2200	2700	2960
Sound pressure low/average/high	dB(A)	14/39/51	21/40/53	22/41/54	22/41/54	18/40/53
Net weight	kg	38	52	54	68	70
Max. static pressure	Pa	120	120	120	120	120
Cooling/hot water connections	inch	3/4" - 1/2"	3/4" - 1/2"	3/4" - 1/2"	3/4" - 1/2"	3/4" - 1/2"

#### NOTES:

(1) The data and specifications present in this sheet may vary without notice.

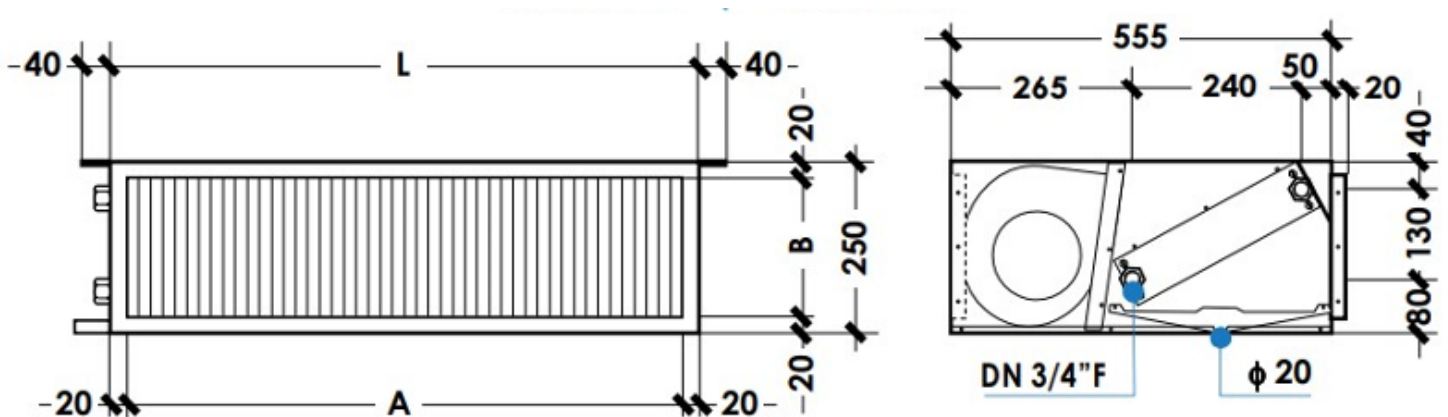
(2) The images on this sheet are indicative and may be different from the final machine.

## WIRING DIAGRAM



Model	FMDE-130/ FMDE-131	FMDE-220/ FMDE-221	FMDE-230/ FMDE-231	FMDE-240	FMDE-330/ FMDE-321/ FMDE-331
No. of fans	1	2	2	2	3
Consumption	160 W	390 W	390 W	390 W	400 W
Max. current	1,25 A	1,70 A	1,70 A	1,70 A	1,80 A
Voltage	230Vac-1Ph-50/60Hz				

## DIMENSIONS



Model	FMDE-130/ FMDE-131	FMDE-220/ FMDE-221	FMDE-230/ FMDE-231	FMDE-240	FMDE-330/ FMDE-321/ FMDE-331
L	800 mm	1200 mm	1200 mm	1200 mm	1600 mm
A	760 mm	1160 mm	1160 mm	1160 mm	1560 mm
B	210 mm	210 mm	210 mm	210 mm	210 mm

\*With the K1 panel, the width and height are increased by 40mm.