



# Aquantia KHPIS-BI PRO

## Bibloc Integrated Set

### PRODUCT SHEET



Product certified by:  



## FEATURES

Model	Set	KHPIS-BI 14T PRO XL
	Indoor unit	KHPI-BI-16VR2XL
	Outdoor unit	KHP-BI 14 DTR2
Outdoor unit	Net / Gross weight	116 kg / 129,5 kg
	Drain connection	DN32 mm
	Sound power	65 dB(A)
	Power supply	380-415 V / 3 / 50 Hz
	Max. intensity	14,0 A
	Recommended fuse	D16 A
	Refrigerant / Refrigerant charge	R-32 / 1,84 kg
	Additional refrigerant charge (from 15 m)	38,0 g/m
	Liquid / gas pipe diameter (OD)	Ø9,52 mm / Ø15,9 mm
	Max. vertical / total distance	20 m / 30 m
Indoor unit	DHW tank capacity	<b>240 L</b>
	DHW tank material	<b>Stainless steel SUS 316 L</b>
	Insulation (thickness)	Injected polyurethane (45 mm)
	Cathodic protection	Not necessary
	Heating circuit diameter	G1"
	DHW circuit diameter	G3/4"
	Expansion vessel included	8,0 L
	Max. pump available pressure	8,5 m
	Net / gross curb weight	157,3 kg / 172,2 kg
	Sound power	44 dB
	Power supply	220-240 V / 1 / 50 Hz
	Rated input	3,10 kW
	Max. intensity	14,30 A
	Recommended fuse	C16 A
	Backup electrical resistance	3,0 kW
Rated water flow	2,5 m <sup>3</sup> /h	
Water flow range	0,7 ~ 3,0 m <sup>3</sup> /h	
Water outlet temperature	Heating & DHW	+25 ~ +65 °C
	Cooling	+5 ~ +25 °C
Operating range	Heating	-25 ~ +35 °C
	DHW	-25 ~ +43 °C
	Cooling	-5 ~ +43 °C

NOTES:

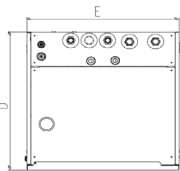
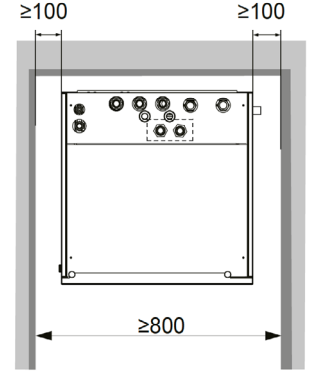
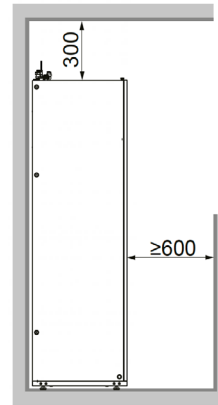
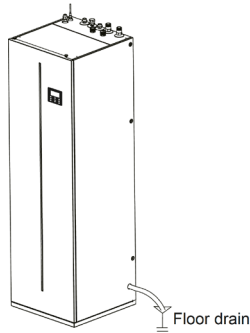
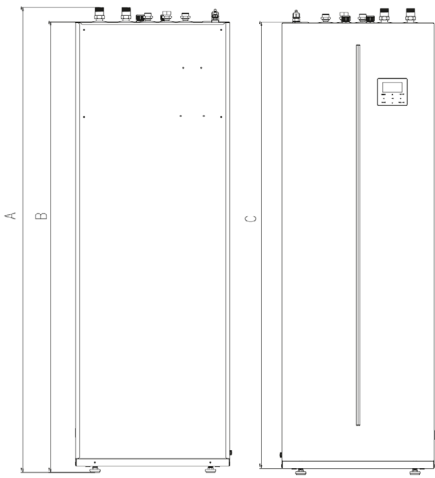
(1) The data and specifications present in this sheet may vary without notice.

(2) The images on this sheet are indicative and may be different from the final machine.



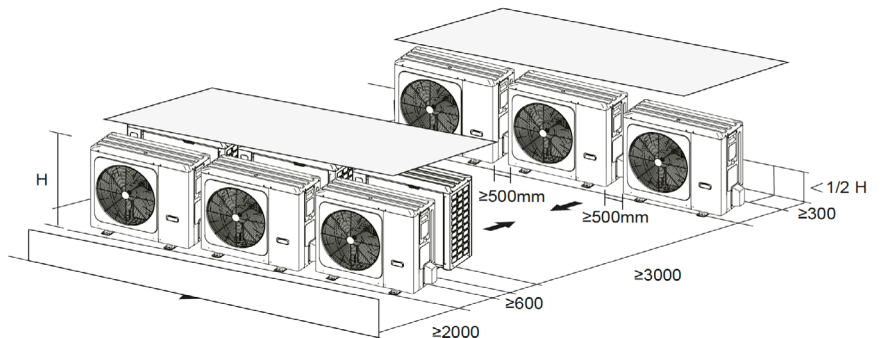
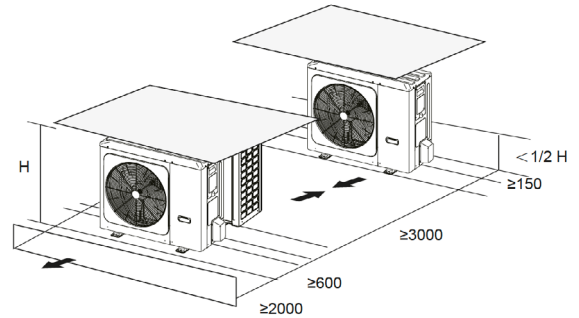
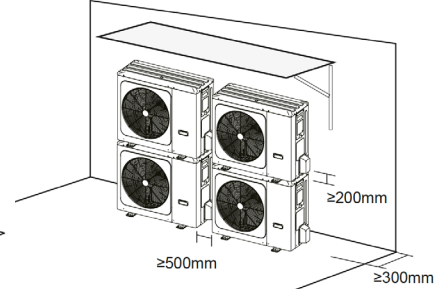
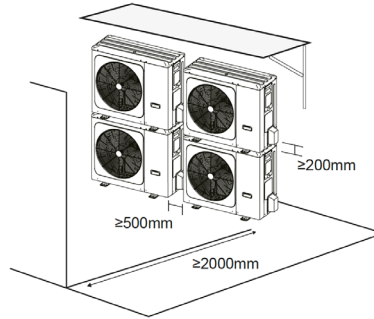
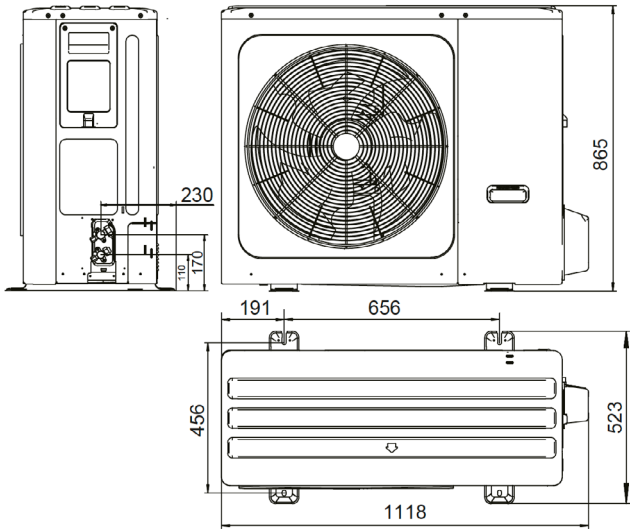
**Kaysun**  
by frigicoll

## INDOOR UNIT DIMENSIONS & INSTALLATION DISTANCES

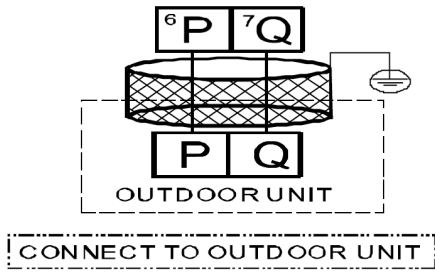


Model	A (mm)	B (mm)	C (mm)	D (mm)	E (mm)
<b>KHPI-BI-16VR2XL</b>	2.034	1.971	1.947	600	600

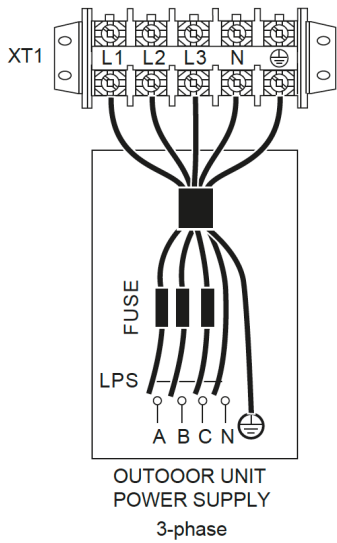
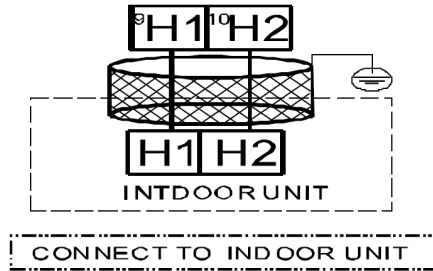
## OUTDOOR UNIT DIMENSIONS & INSTALLATION DISTANCES



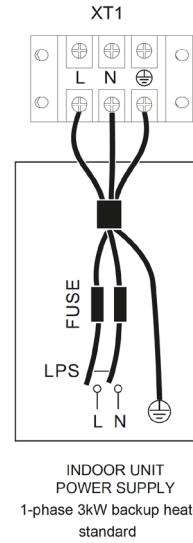
## ELECTRICAL CONNECTION



### Internal machine parallel



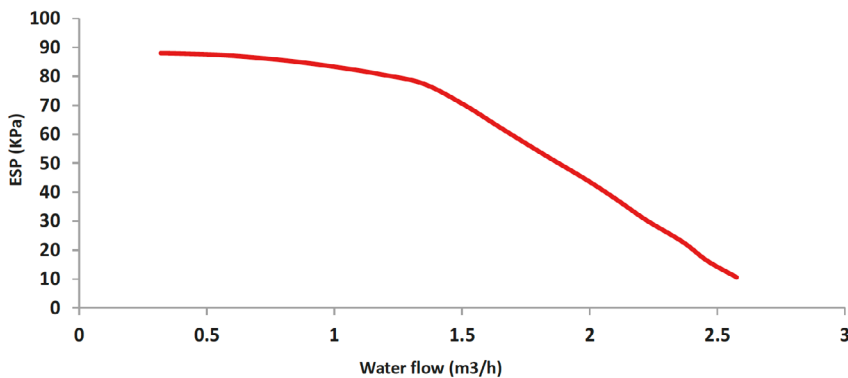
<b>Unit</b>	<b>14 kW 3-PH</b>
Max. overcurrent protector (MOP) (A)	14 A
Wiring size (mm <sup>2</sup> )	2,5 mm <sup>2</sup>



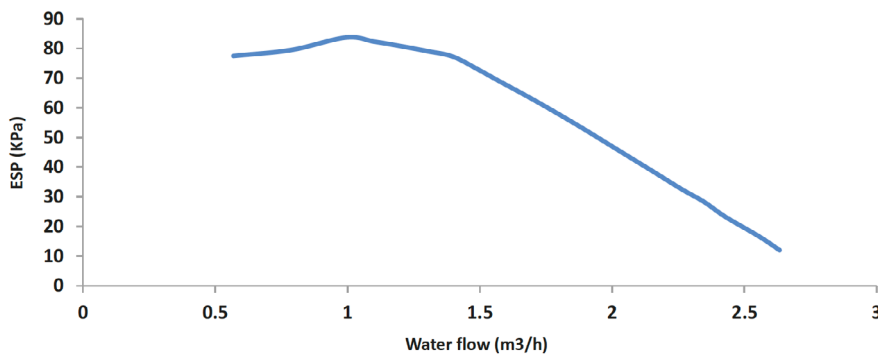
<b>Unit</b>	<b>3 kW - 1 PH</b>
Wiring size	4,0 mm <sup>2</sup>

## PUMP CURVE

With 190L water tank



With 240L water tank



## PERFORMANCES

	Heating				Cooling	
	A+7°C Capacity kW / W+35°C COP	A+7°C Capacity kW / W+55°C COP	A-7°C Capacity kW / W+35°C COP	A-7°C Capacity kW / W+55°C COP	A+35°C Capacity kW / W+18°C EER	A+35°C Capacity kW / W+7°C EER
KHPIS-BI 14T PRO XL	14,50 / 4,70	13,80 / 3,00	12,00 / 2,85	11,00 / 2,05	13,50 / 3,60	12,70 / 2,55

## ACS PERFORMANCE CERTIFIED BY KEYMARK

	Energy class ACS	Profile ACS	SCOP ACS / Medium climate	SCOP ACS / Warm climate
KHPIS-BI 14T PRO XL	A+	XL	3,00	3,73

## SOUND PRESSURE



	Sound pressure Outdoor unit dB(A)	Sound pressure Indoor unit dB(A)
KHPIS-BI 14T PRO XL	51 (380V)	29

# Aquantia KHPIS-BI PRO

## Bibloc Integrated Set

### PRODUCT SHEET



Product certified by:  



## FEATURES

Model	Set	KHPIS-BI 16T PRO XL
	Indoor unit	KHPI-BI-16VR2XL
	Outdoor unit	KHP-BI 16 DTR2
Outdoor unit	Net / Gross weight	116 kg / 129,5 kg
	Drain connection	DN32 mm
	Sound power	68 dB(A)
	Power supply	380-415 V / 3 / 50 Hz
	Max. intensity	14,0 A
	Recommended fuse	D16 A
	Refrigerant / Refrigerant charge	R-32 / 1,84 kg
	Additional refrigerant charge (from 15 m)	38,0 g/m
	Liquid / gas pipe diameter (OD)	Ø9,52 mm / Ø15,9 mm
	Max. vertical / total distance	20 m / 30 m
Indoor unit	DHW tank capacity	<b>240 L</b>
	DHW tank material	<b>Stainless steel SUS 316 L</b>
	Insulation (thickness)	Injected polyurethane (45 mm)
	Cathodic protection	Not necessary
	Heating circuit diameter	G1"
	DHW circuit diameter	G3/4"
	Expansion vessel included	8,0 L
	Max. pump available pressure	8,5 m
	Net / gross curb weight	157,3 kg / 172,2 kg
	Sound power	44 dB
	Power supply	220-240 V / 1 / 50 Hz
	Rated input	3,10 kW
	Max. intensity	14,30 A
	Recommended fuse	C16 A
	Backup electrical resistance	3,0 kW
Rated water flow	2,8 m <sup>3</sup> /h	
Water flow range	0,7 ~ 3,0 m <sup>3</sup> /h	
Water outlet temperature	Heating & DHW	+25 ~ +65 °C
	Cooling	+5 ~ +25 °C
Operating range	Heating	-25 ~ +35 °C
	DHW	-25 ~ +43 °C
	Cooling	-5 ~ +43 °C

NOTES:

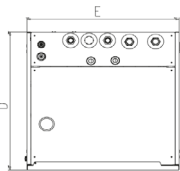
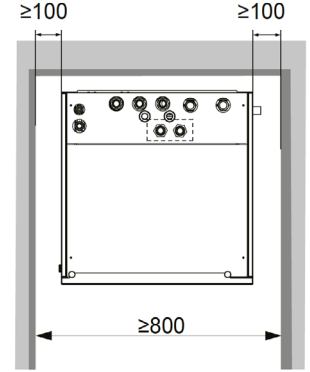
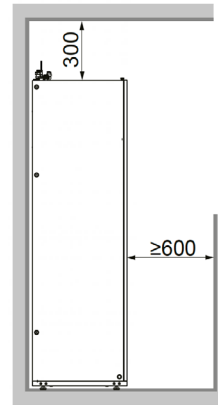
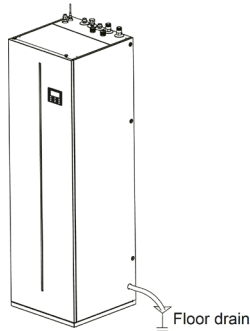
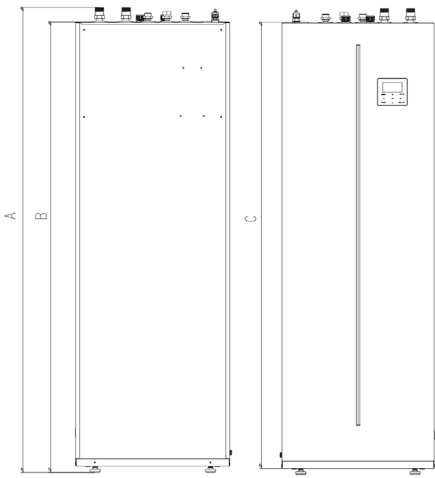
(1) The data and specifications present in this sheet may vary without notice.

(2) The images on this sheet are indicative and may be different from the final machine.



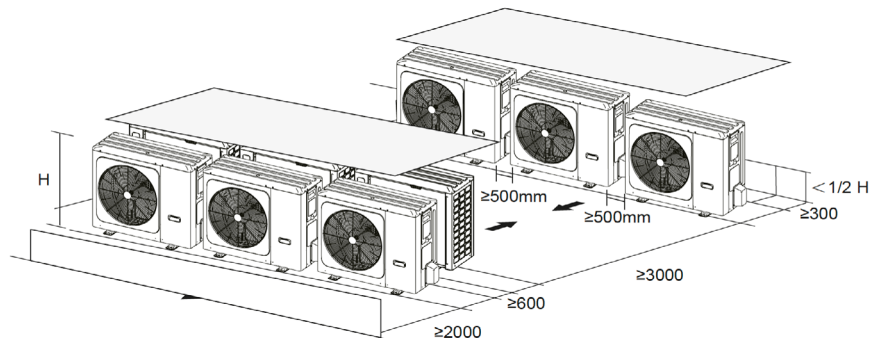
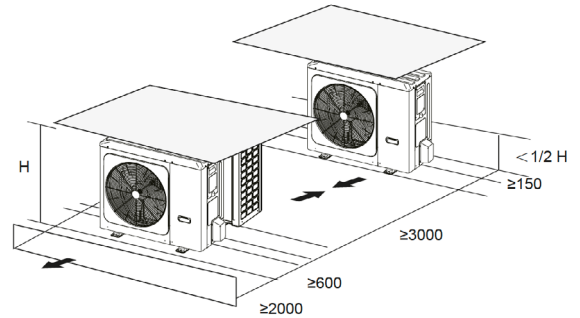
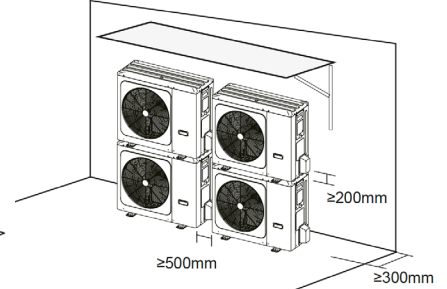
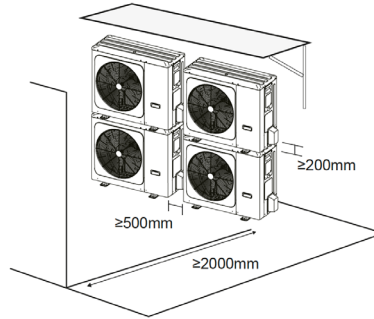
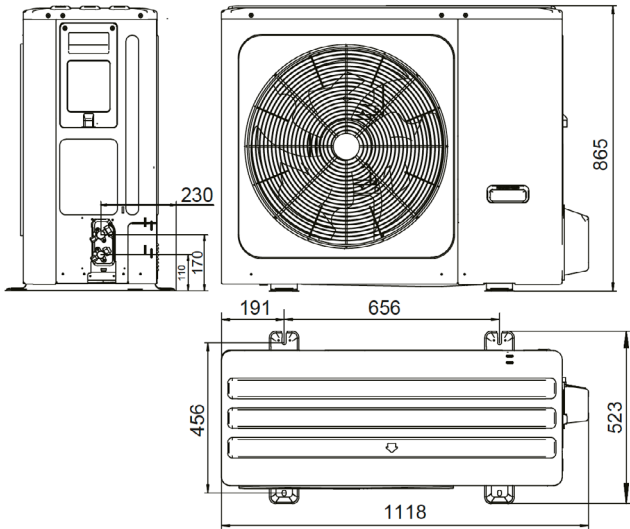
**Kaysun**  
by frigicoll

## INDOOR UNIT DIMENSIONS & INSTALLATION DISTANCES

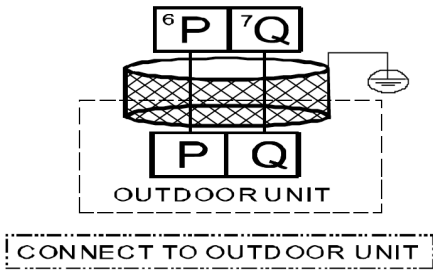


Model	A (mm)	B (mm)	C (mm)	D (mm)	E (mm)
<b>KHPI-BI-16VR2XL</b>	2.034	1.971	1.947	600	600

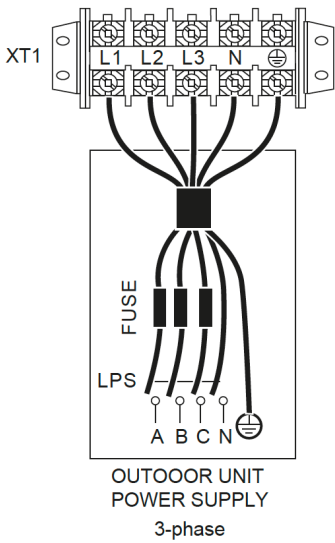
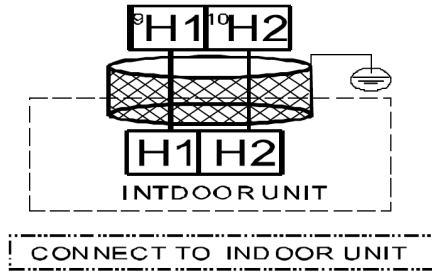
## OUTDOOR UNIT DIMENSIONS & INSTALLATION DISTANCES



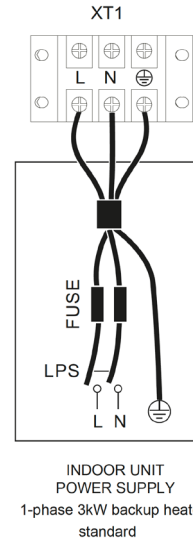
## ELECTRICAL CONNECTION



### Internal machine parallel



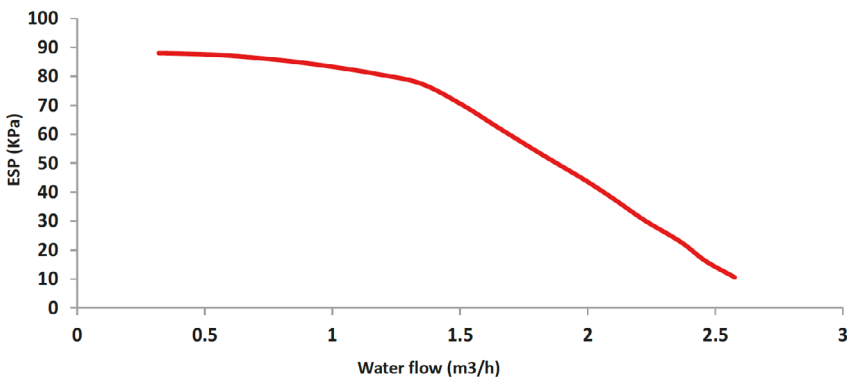
<b>Unit</b>	<b>16 kW 3-PH</b>
Max. overcurrent protector (MOP) (A)	14 A
Wiring size (mm <sup>2</sup> )	2,5 mm <sup>2</sup>



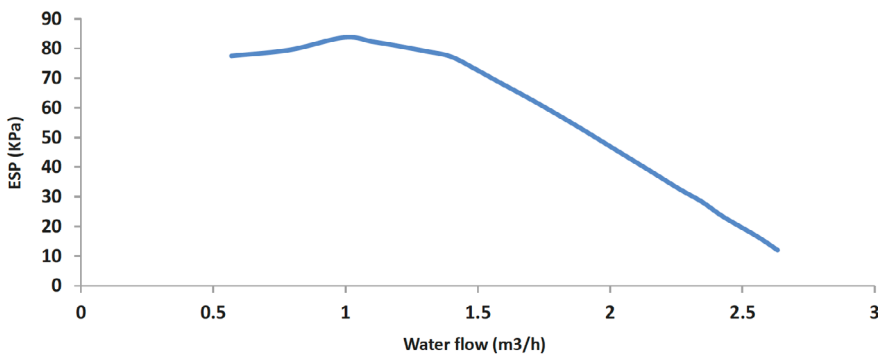
<b>Unit</b>	<b>3 kW - 1 PH</b>
Wiring size	4,0 mm <sup>2</sup>

## PUMP CURVE

With 190L water tank



With 240L water tank



## PERFORMANCES

	Heating				Cooling	
	A+7°C Capacity kW / W+35°C COP	A+7°C Capacity kW / W+55°C COP	A-7°C Capacity kW / W+35°C COP	A-7°C Capacity kW / W+55°C COP	A+35°C Capacity kW / W+18°C EER	A+35°C Capacity kW / W+7°C EER
KHPIS-BI 16T PRO XL	16,00 / 4,50	16,00 / 2,90	13,10 / 2,70	12,50 / 2,00	14,90 / 3,40	14,00 / 2,45

## ACS PERFORMANCE CERTIFIED BY KEYMARK

	Energy class ACS	Profile ACS	SCOP ACS / Medium climate	SCOP ACS / Warm climate
KHPIS-BI 16T PRO XL	A+	XL	3,00	3,73

## SOUND PRESSURE

	Sound pressure Outdoor unit dB(A)	Sound pressure Indoor unit dB(A)
KHPIS-BI 16T PRO XL	55 (380V)	29