

High Pressure Ducts

PRODUCT SHEET



HIDTI9X
Recommended thermostat
for 2 and 4 pipes

Product certified by: **CE**



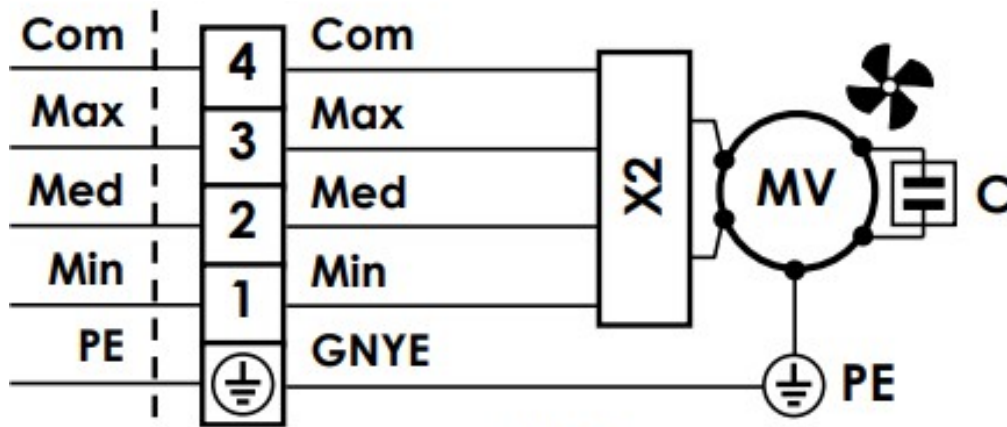
FEATURES 2 TUBES

Model		FHDA-130	FHDA-220	FHDA-230	FHDA-240	FHDA-330
Cooling capacity max.	kW	8,65	12	15,2	17,8	21,2
Sensitive cooling capacity max.	kW	6,58	9,77	12,1	13,5	17,2
Heat output max.	kW	9,44	14,2	17,60	18,60	25,15
Air flow rate max.	m ³ /h	1500	2750	3000	2850	4400
Sound pressure low/average/high	dB(A)	45/53/59	46/57/61	47/58/65	47/58/62	57/58/63
Net weight	kg	37	51	53	56	69
Max. static pressure	Pa	150	150	150	150	150
Cooling/hot water connections	inch	3/4"	3/4"	3/4"	3/4"	3/4"

FEATURES 4 TUBES

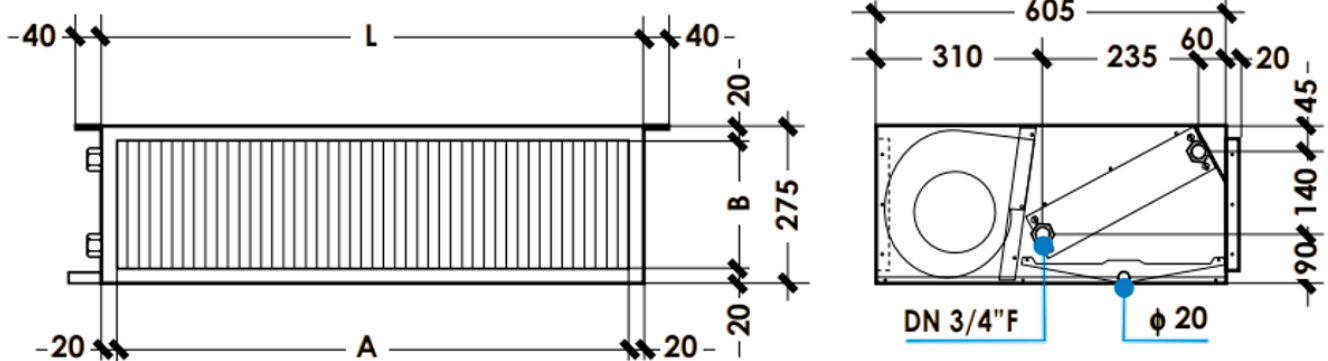
Model		FHDA-131	FHDA-221	FHDA-231	FHDA-321	FHDA-331
Cooling capacity max.	kW	8,27	11,5	14,6	16,10	20,3
Sensitive cooling capacity max.	kW	6,25	9,33	11,5	13,3	16,39
Heat output max.	kW	11,47	19,82	20,98	28,36	29,87
Air flow rate low/average/high	m ³ /h	1400	2570	2800	3800	4100
Sound pressure low/average/high	dB(A)	45/53/59	46/57/61	47/58/62	56/58/62	57/62/63
Net weight	kg	40	56	58	73	75
Max. static pressure	Pa	150	150	150	150	150
Max. heating water flow rate	m ³ /h	1,19	1,69	1,8	2,77	3,49
Max. cooling water flow rate	m ³ /h	1,4	1,94	2,52	2,77	3,49
Cooling/hot water connections	inch	3/4" / 1/2"	3/4" / 1/2"	3/4" / 1/2"	3/4" / 1/2"	3/4" / 1/2"

WIRING DIAGRAM



Model	FHDA-130/ FHDA-131	FHDA-220/ FHDA-221	FHDA-230/ FHDA-231	FHDA-240	FHDA-330/ FHDA-321/ FHDA-331
No. of fans	1	2	2	2	3
Consumption	270 W	570 W	570 W	570 W	840 W
Max. current	1,25 A	2,70 A	2,70 A	2,70 A	3,90 A
Voltage	230Vac-1Ph-50/60Hz				

DIMENSIONS



Model	FHDA-130/ FHDA-131	FHDA-220/ FHDA-221	FHDA-230/ FHDA-231	FHDA-240	FHDA-330/ FHDA-321/ FHDA-331
L	800 mm	1200 mm	1200 mm	1200 mm	1600 mm
A	760 mm	1160 mm	1160 mm	1160 mm	1560 mm
B	235 mm	235 mm	235 mm	235 mm	235 mm

*With the K1 panel, the width and height are increased by 40mm.