

# New Modular Full DC Inverter Chillers

# PRODUCT SHEET

\* Consult


 KCCHT-06 MODBUS  
Standard controller

Product certified by:

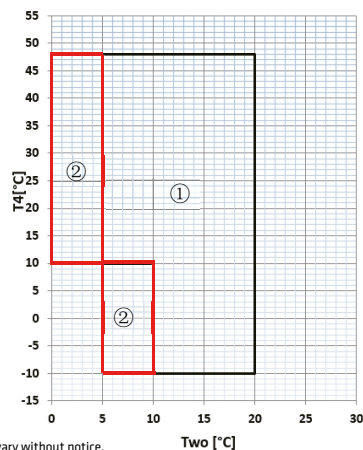


## FEATURES

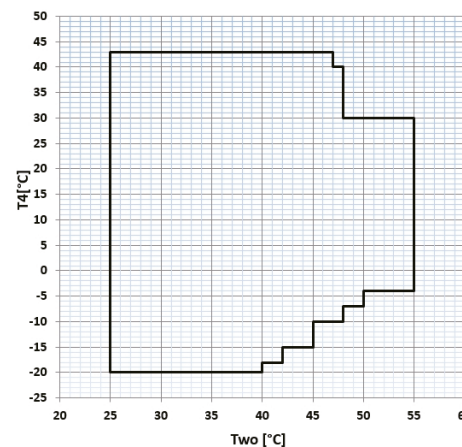
Model	KEM-75 DR55
Cooling capacity	70 kW
Cooling power input	26.800 W
Heating capacity	75 kW
Heating power input	23.700 W
EER / COP	2,61 / 3,16
SEER	4,45
SCOP (average zone water 35 °C) - Energy class	4,05 - A++
Compressor type / No. compressors	Scroll Inverter / 2
No. fans	2
Air flow	30.000 m <sup>3</sup> /h
Sound pressure	65 dB(A)
Refrigerant / supplementary charge	9 kg / - kg
Water flow	13 m <sup>3</sup> /h
Load loss	52 kPa
Hydraulic connections	2"
Power supply	380-415 V / 3 / 50 Hz

## OPERATING LIMITS

Cooling mode



Heating mode



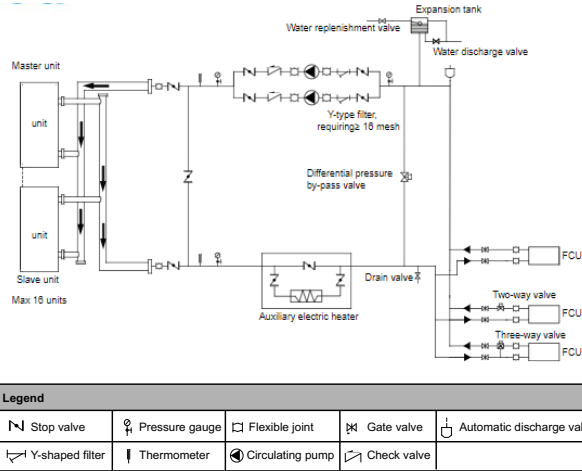
NOTES:

(1) The data and specifications present in this sheet may vary without notice.

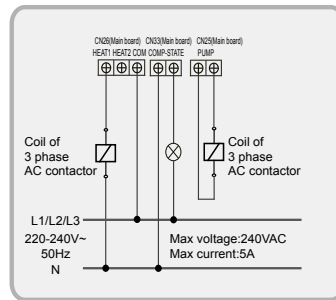
(2) The images on this sheet are indicative and may be different from the final machine.



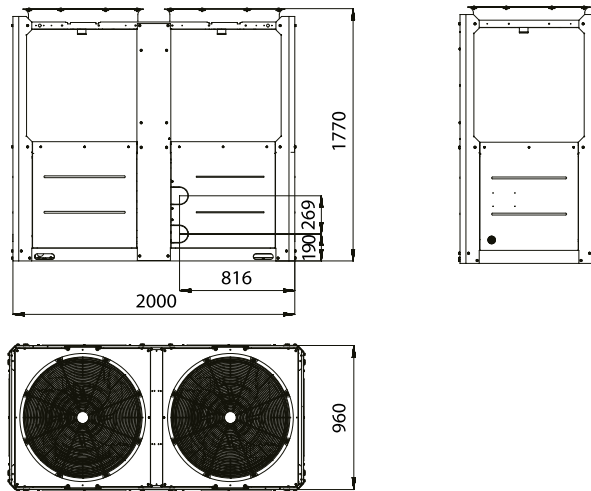
## INSTALLATION COMPONENTS



## WIRING DIAGRAM



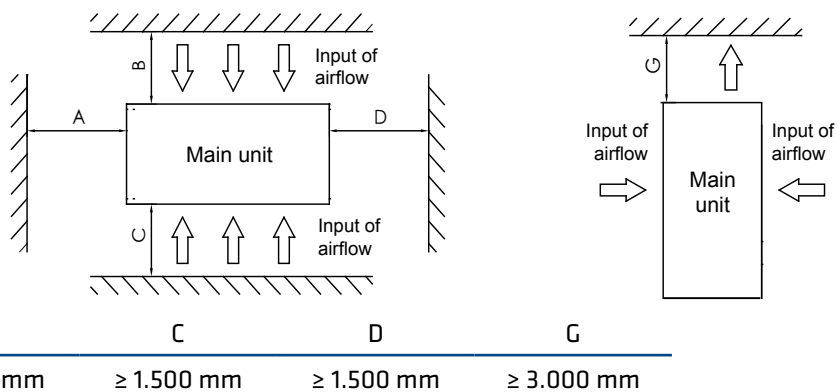
## DIMENSIONS OF UNIT



Net weight

430 kg

## INSTALLATION



# New Modular Full DC Inverter Chillers

# PRODUCT SHEET



KCCHT-06 MODBUS  
Standard controller

Product certified by:

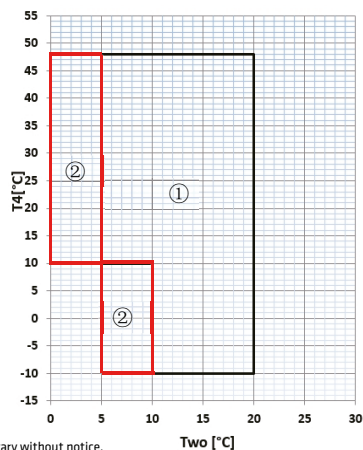


## FEATURES

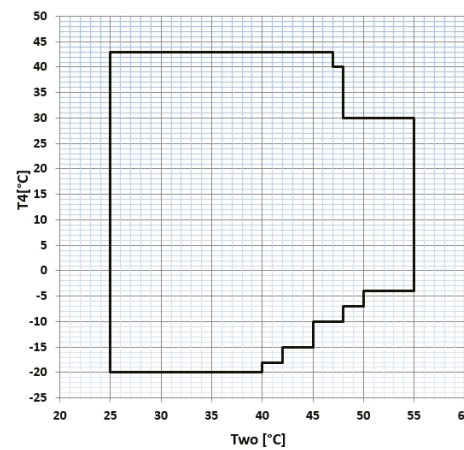
Model	KEM-90 DRS5
Cooling capacity	82 kW
Cooling power input	27.800 W
Heating capacity	90 kW
Heating power input	28.100 W
EER / COP	2,95 / 3,2
SEER	4,58
SCOP (average zone water 35 °C) - Energy class	3,97 - A++
Compressor type / No. compressors	Scroll Inverter / 2
No. fans	2
Air flow	35.000 m <sup>3</sup> /h
Sound pressure	65 dB(A)
Refrigerant / supplementary charge	11,5 kg / 4,5 kg
Water flow	15 m <sup>3</sup> /h
Load loss	75 kPa
Hydraulic connections	2"
Power supply	380-415 V / 3 / 50 Hz

## OPERATING LIMITS

Cooling mode



Heating mode

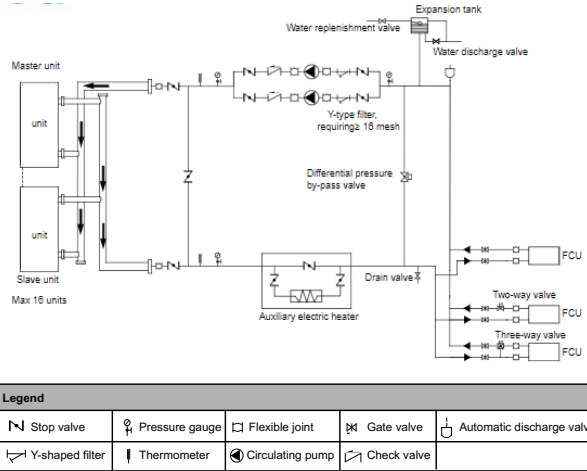


NOTES:

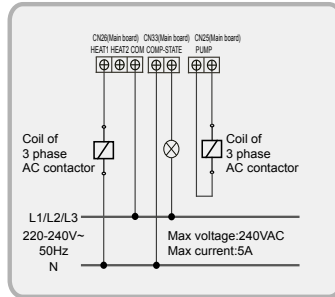
(1) The data and specifications present in this sheet may vary without notice.

(2) The images on this sheet are indicative and may be different from the final machine.

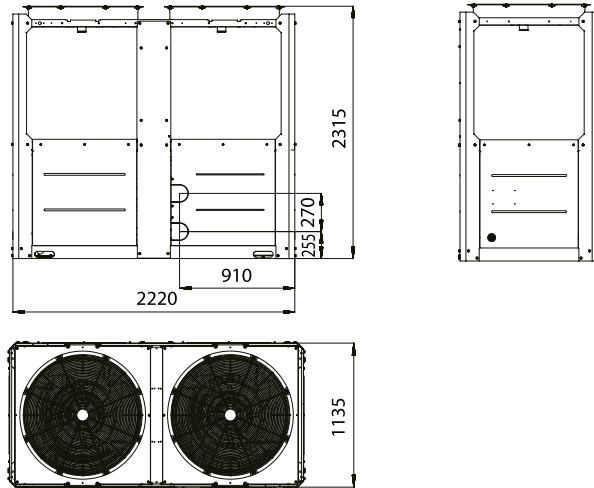
# INSTALLATION COMPONENTS



# WIRING DIAGRAM



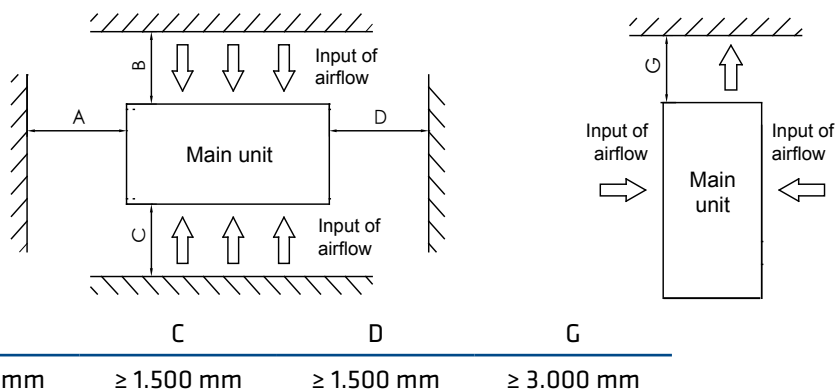
# DIMENSIONS OF UNIT



Net weight

635 kg

# INSTALLATION



# New Modular Full DC Inverter Chillers

# PRODUCT SHEET

\* Consult


 KCCHT-06 MODBUS  
Standard controller

Product certified by:

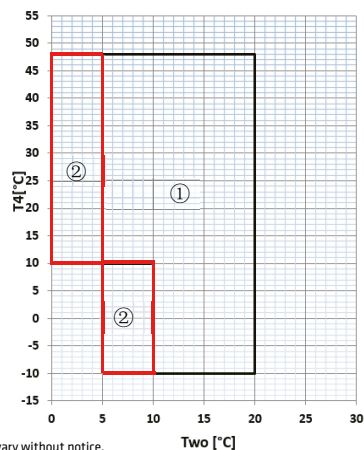


## FEATURES

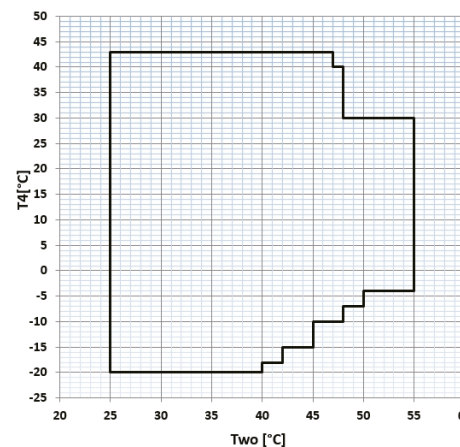
Model	KEM-140 DRS5
Cooling capacity	130 kW
Cooling power input	50.500 W
Heating capacity	138 kW
Heating power input	44.500 W
EER / COP	2,57 / 3,1
SEER	4,3
SCOP (average zone water 35 °C) - Energy class	4,05 - A++
Compressor type / No. compressors	Scroll Inverter / 2
No. fans	2
Air flow	55.000 m <sup>3</sup> /h
Sound pressure	67 dB(A)
Refrigerant / supplementary charge	11,5 kg / 4 kg
Water flow	24 m <sup>3</sup> /h
Load loss	75 kPa
Hydraulic connections	2 1/2"
Power supply	380-415 V / 3 / 50 Hz

## OPERATING LIMITS

Cooling mode



Heating mode

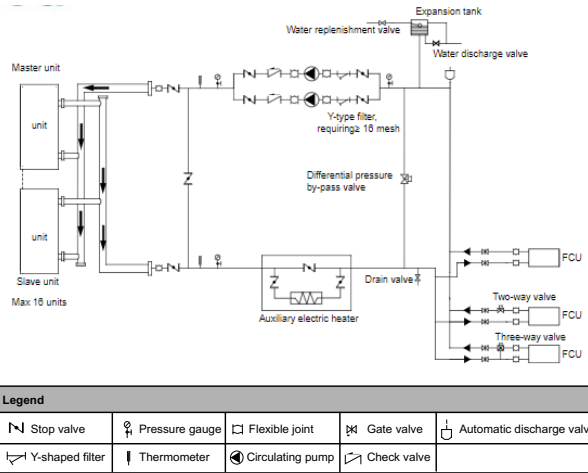


NOTES:

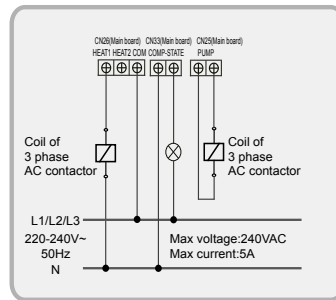
(1) The data and specifications present in this sheet may vary without notice.

(2) The images on this sheet are indicative and may be different from the final machine.

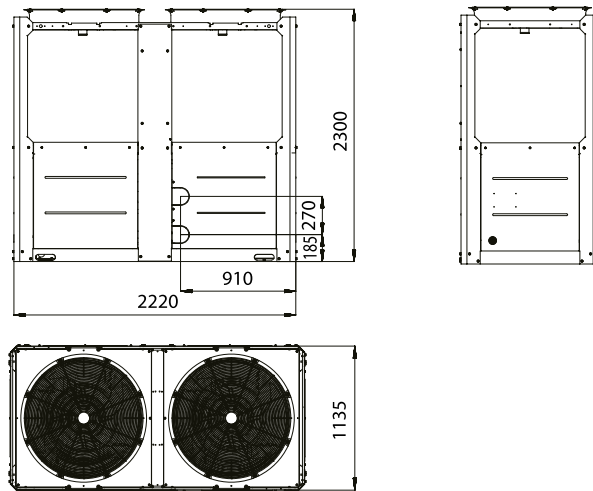
## INSTALLATION COMPONENTS



## WIRING DIAGRAM



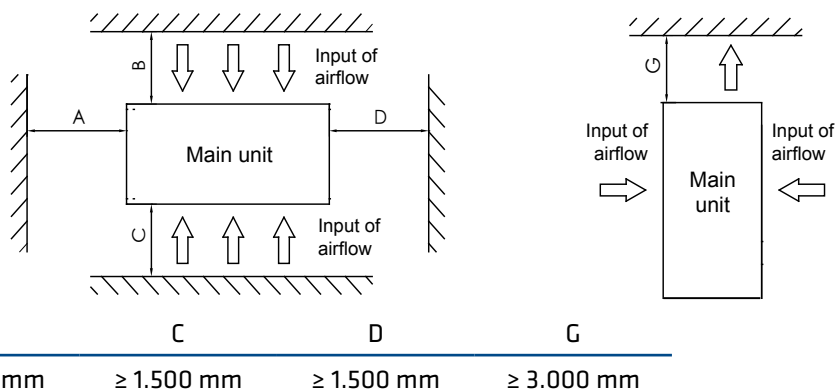
## DIMENSIONS OF UNIT



Net weight

670 kg

## INSTALLATION



# New Modular Full DC Inverter Chillers

# PRODUCT SHEET

\* Consult


 KCCHT-06 MODBUS  
Standard controller

Product certified by:

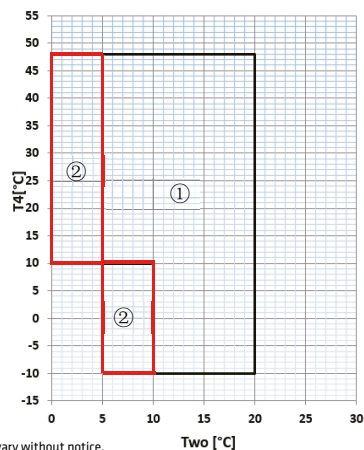


## FEATURES

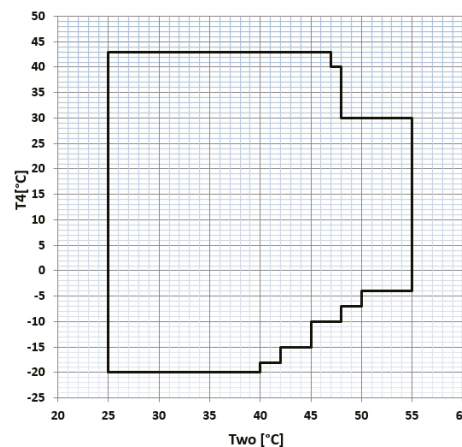
Model	KEM-180 DRS5
Cooling capacity	164 kW
Cooling power input	56.000 W
Heating capacity	180 kW
Heating power input	3.160 W
EER / COP	3,16
SEER	4,41
SCOP (average zone water 35 °C) - Energy class	3,8 - A+
Compressor type / No. compressors	Scroll Inverter / 4
No. fans	4
Air flow	70.000 m <sup>3</sup> /h
Sound pressure	70 dB(A)
Refrigerant / supplementary charge	11,5 + 11,5 kg / 4,5 + 4,5 kg
Water flow	31 m <sup>3</sup> /h
Load loss	75 kPa
Hydraulic connections	3"
Power supply	380-415 V / 3 / 50 Hz

## OPERATING LIMITS

Cooling mode



Heating mode

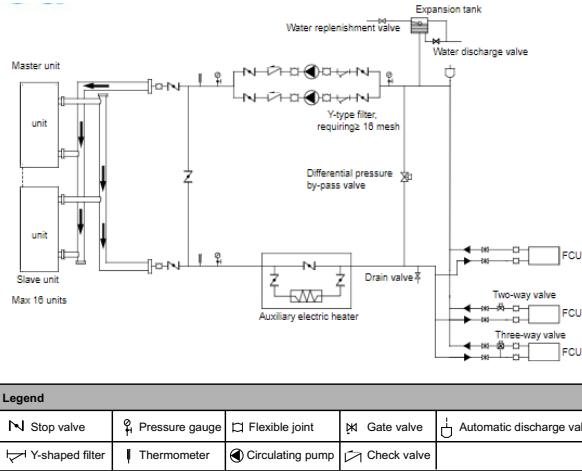


NOTES:

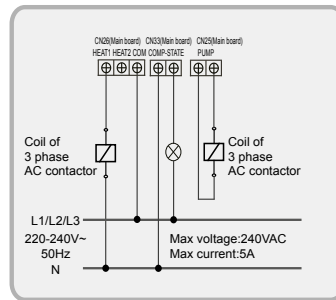
(1) The data and specifications present in this sheet may vary without notice.

(2) The images on this sheet are indicative and may be different from the final machine.

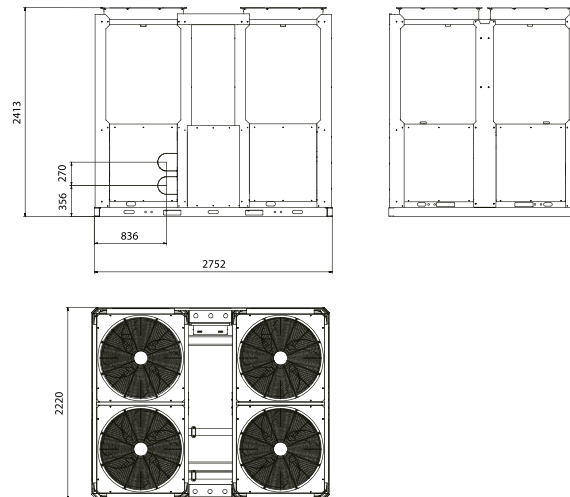
## INSTALLATION COMPONENTS



## WIRING DIAGRAM



## DIMENSIONS OF UNIT



Net weight

1.420 kg

## INSTALLATION

